

DE Plan 800 AIArray Invisible Line Array Speaker

Description

The DE Plan 800 AIArray® is an invisible, passive, 4-channel line array module designed to be installed in walls and ceilings. The vertical dispersion direction of the DE Plan 800 AIArray can be individually set using our DSC series system controllers and PA series power amplifiers inclusive our LB CONTROL App.

de:shape®: the membrane of the DE Plan 800 AIArray has an optimized contour with a calculated distribution of distance between the edge and the high frequency driver (patent pending). This results in unprecedented audio performance and extremely accurate sound reproduction.

The DE Plan 800 AIArray can be installed as a front speaker (l, r, center) in ceilings or the upper sections of walls and directed towards listeners. In large rooms with long reverberation times, several modules can be combined to create longer linear arrays. Each of the individual channels of the DE Plan 800 AIArray is designed as a 2-way system with a 6" woofer and two high-frequency drivers.

The DE Plan 800 AIArray is mounted facing outwards in hollow non-concrete walls and ceilings. It can also be installed in solid walls and concrete ceilings using an EGB Plan 800 back box. First, the speaker is mounted, then the glass fiber lining included with the package is placed around the membrane and the area can then be plastered and painted.



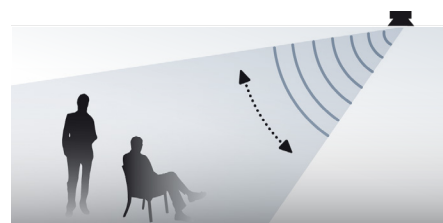
al:array®
adapted line array
DEplan®

Key Features

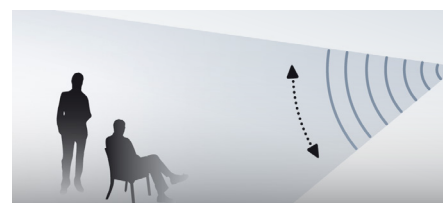
- Invisible 4-channel line array
- 180° nominal dispersion
- Vertical radiation adjustable via controller and our LB CONTROL App
- Excellent low frequency response
- 4 × 6" woofers + 8 × 1" high frequency drivers
- 4 × 120 watts power capacity

Fields of Application

- Gastronomy, hotels
- Home audio
- Large rooms, halls
- Surround systems



DE Plan 800 AIArray,
ceiling installation with
adjustable beam direction



DE Plan 800 AIArray,
wall installation with
adjustable beam direction

DE Plan 800 AIArray Invisible Line Array Speaker

Technical Data

Principle	4-channel 2-way flat transducer
Components	4 × 6" woofers + 8 × 1" high frequency drivers
Frequency range	40 Hz – 20 kHz (with controller) (2 × paint-coated)
Impedance	4 × 8 ohms
Power capacity	4 × 60 watts RMS, 4 × 120 watts program
Sensitivity	88 dB (1 W@1 m), half-space (flush-mounted)
Maximum SPL	114 dB @ 1 m
Nominal dispersion (H × V)	180° horizontal, vertical adjustable via controller
Dimensions	720 × 300 × 72 mm; incl. mounting feet: 728 × 388 × 72 mm
Cutout size	724 × 304 mm
Wall /ceiling thickness	10 – 35 mm (incl. back box)
Installation depth	72 mm
Weight	8.5 kg
Connectors	Screw-type terminals, pluggable
Warranty	5 years

Model

Order No.

Versions

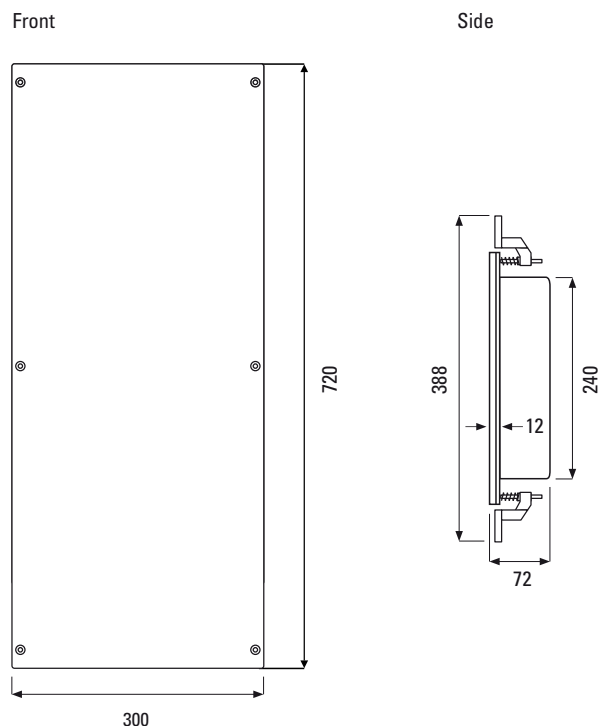
DE Plan 800 AIArray	0409-0001	Complete incl. assembly frame, glass fiber fabric and adhesive
----------------------------	-----------	----------------------------------------------------------------------



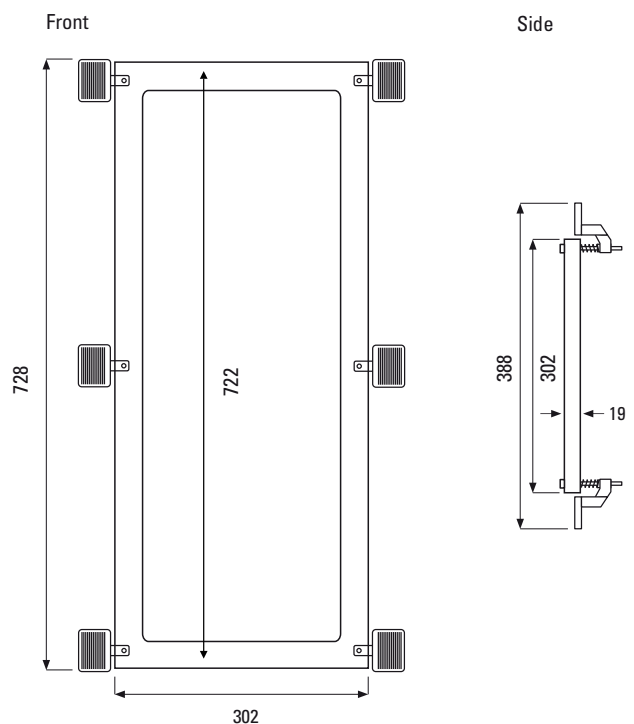
DE Plan 800 AIArray
without membrane

Dimensions




DE Plan 800 AIArray



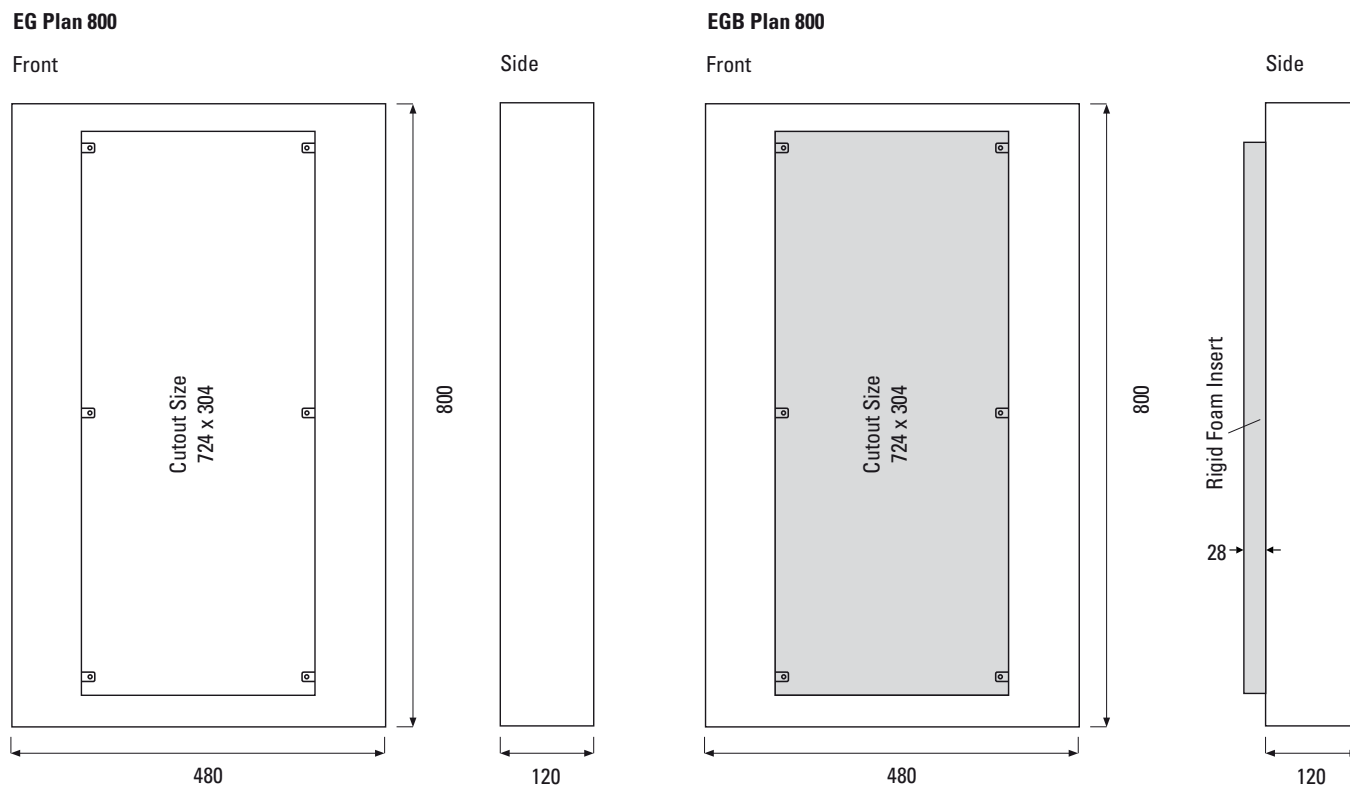
Assembly Frame MR 800





DE Plan 800 AIArray Invisible Line Array Speaker

Back Boxes	Order No.	Versions
	EG Plan 800	2310-0001 Back box, plastic, dim.: 800 × 480 × 120 mm
	EGB Plan 800	2309-0001 Back box for concrete, plastic, dim.: 800 × 480 × 148 mm (incl. PVC rigid foam)
	MR 800	0408-0007 Spare part assembly frame for DE Plan 800, all versions

Dimension



DE Plan 800 AIArray Invisible Line Array Speaker

Amplifiers		Order No.	Versions
 For 1 × DE Plan 800 AIArray	PA 4100 DSC	3106-0052	8 × Line In Sym., 4 × 100 W / 2–8 Ω, 4 × Line Out, 1 HE
	PA 4100 DSC CINCH	3106-0053	8 × Line In Cinch
	PA 4100 DSC DANTE	3106-0054	8 × In Dante-Module
 For 2 × DE Plan 800 AIArray	PA 8100 DSC	3106-0058	8 × Line In Sym., 8 × 100 W / 2–8 Ω, 8 × Line Out, 1 HE
	PA 8100 CINCH	3106-0059	8 × Line In Cinch
	PA 8100 DANTE	3106-0060	8 × In Dante-Module

pa series

PA 8100 DSC
8-Channel-DSP-Amplifier with 8 × 100 watts output power to operate 2 to 4 DE Plan 600 AIArray modules.



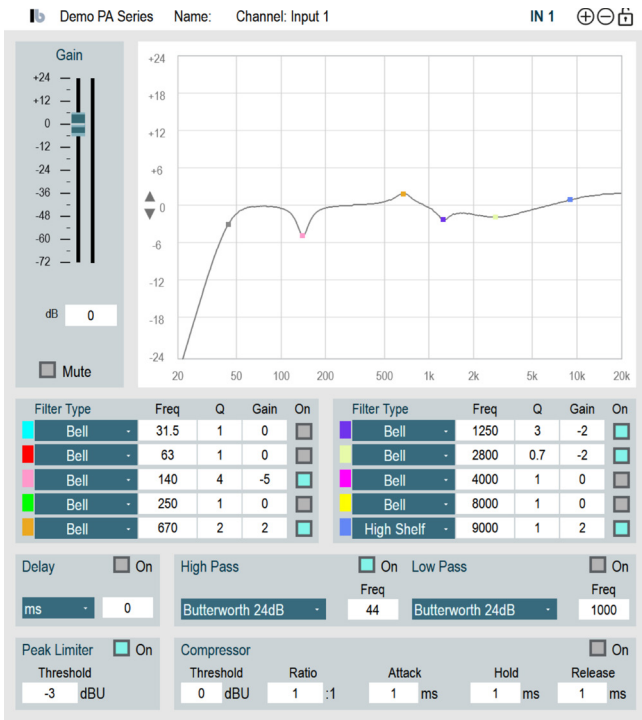
Multichannel-DSP-Amplifier to operate DE Plan 800 AIArray

In the case of the DE Plan 800 AIArray, the dispersion direction is set by programming the corresponding DSP power amplifiers using our newly developed, browser-based LB CONTROL App. The required angle is set by selecting the appropriate preset from the preset library in 1° up to 3° increments. In addition to selection of the dispersion direction, the software also provides the usual setting options such as parametric EQs, delays, compressors, and limiters. Project-specific presets available on request.

To combine two or more DE Plan 800 AIArray speakers in groups, two channels can be connected in parallel. For e.g. two line-arrays with each of 2 × DE Plan 800 AIArray can be operated with 1 × amplifier PA 8100 DSC.

DE Plan 800 AIArray Invisible Line Array Speaker

LB CONTROL App



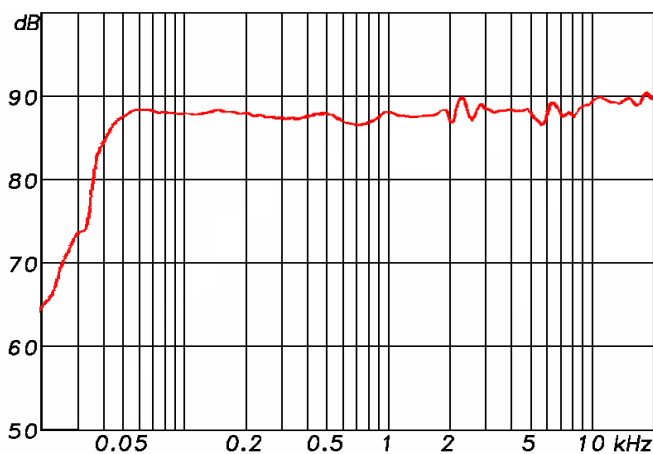
In the case of the **DE Plan 800 AIArray**, the dispersion direction is set by programming the corresponding DSP power amplifiers using our browser-based **LB CONTROL App**. The required angle is set by selecting the appropriate preset from the preset library in 1° up to 3° increments. In addition to selection of the dispersion direction, the software also provides the usual setting options such as parametric EQs, delays, compressors, and limiters.

Project-specific presets available on request.



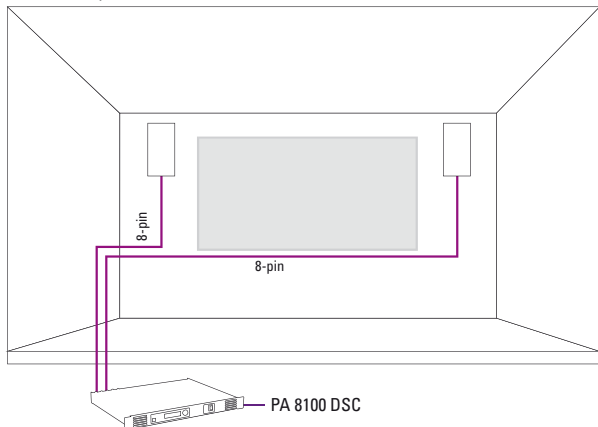
Measuring Diagram

DE Plan 800 AIArray® Sens. @ 2, 83V/1m

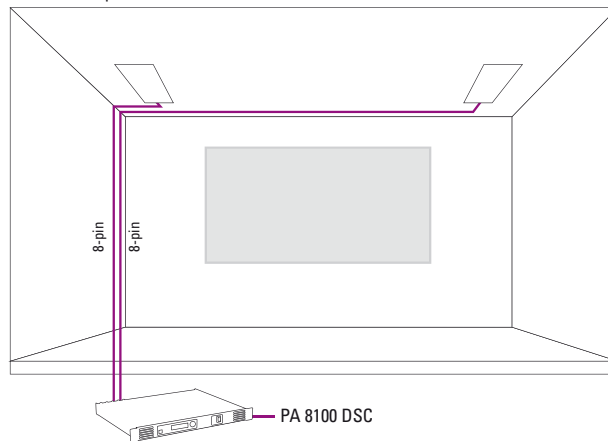


Circuit Diagrams with Controllers and Amplifiers

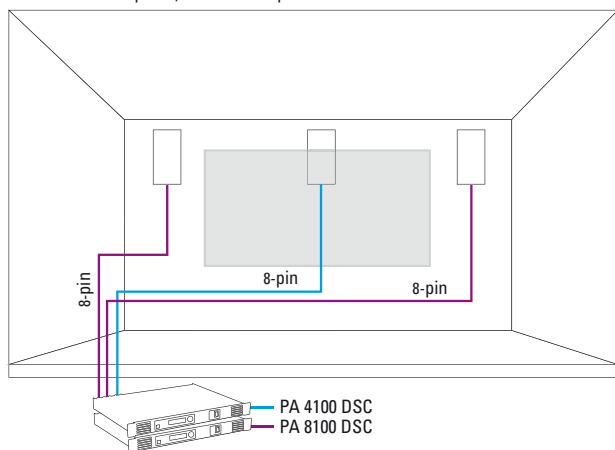
2 × DE Plan 800 AIArray in-wall installation with 1 × 8-channel amplifier and 8 × 1.5 mm² speaker cable.



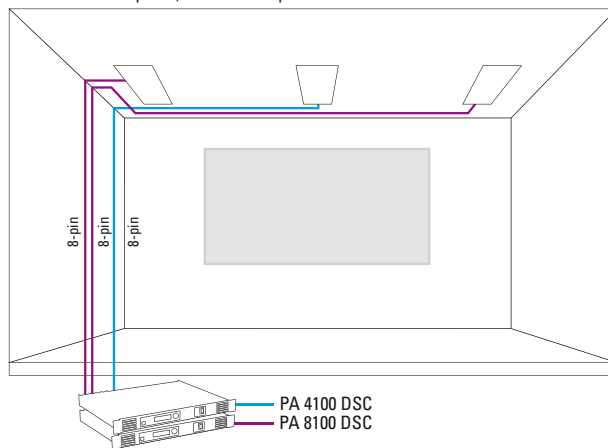
2 × DE Plan 800 AIArray in-ceiling installation with 1 × 8-channel amplifier and 8 × 1.5 mm² speaker cable.



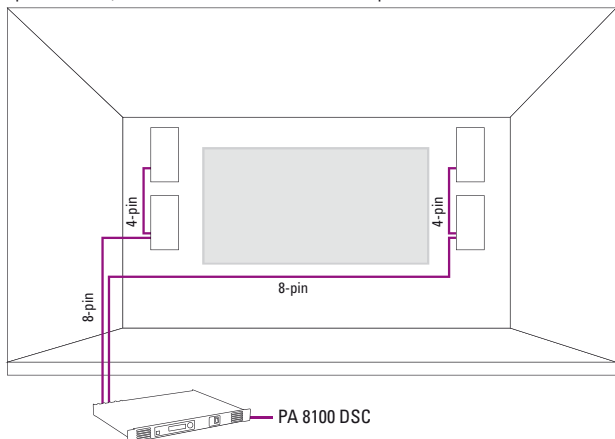
3 × DE Plan 800 AIArray in-wall installation with 1 × 8-channel amplifier and 1 × 4-channel amplifier, 8 × 1.5 mm² speaker cable.



3 × DE Plan 800 AIArray in-ceiling installation with 1 × 8-channel amplifier and 1 × 4-channel amplifier, 8 × 1.5 mm² speaker cable.



4 × DE Plan 800 AIArray in-wall installation with 1 × 8-channel amplifier, 8 × 1.5 mm² speaker cable, two channels can be connected in parallel.



6 × DE Plan 800 AIArray in-wall installation with 2 × 8-channel amplifiers, 8 × 1.5 mm² speaker cable, two channels can be connected in parallel.

