



## RL 180 N Polar Directional Speaker with Cardioid Pattern



### Technical Data

The RL 180 N Polar is a 2-way speaker that is designed to be suspended from ceilings in rooms with long reverberation times. The proven Polar technology produces a consistently wide dispersion angle at medium and high frequencies.

The cardioid pattern effectively suppresses disruptive sound reflections from the ceiling by minimizing the amount of sound emitted backwards at low frequencies.

As such, a small number of RL 180 N Polar speakers can be used to transmit speech very evenly and clearly, even in acoustically challenging rooms. The high efficiency of the RL 180 N Polar (93 dB at 1W/1m) enables cost-effective amplifier systems with power consumption.

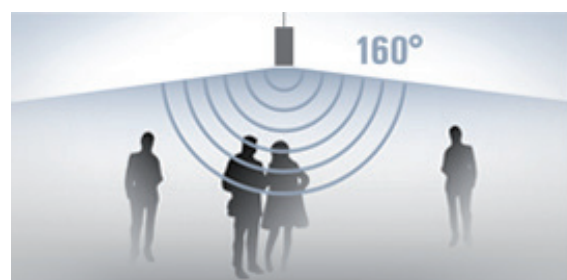
We recommend combining the speaker with our SUB 40 and SUB 80 subwoofers when playing music at high volumes.

### Key Features

- 2-way system with Polar technology
- 160° nominal dispersion
- Perfect sound distribution with a small number of speakers
- High efficiency
- 6.5" driver + 1" dome tweeter
- 120 watts power capacity
- 8 ohms or 100 V versions
- Standard finish: white and black

### Fields of Application

- Conference rooms
- Exhibitions, trade fairs
- Gastronomy
- Large rooms, halls
- Museums
- Shops, sales rooms

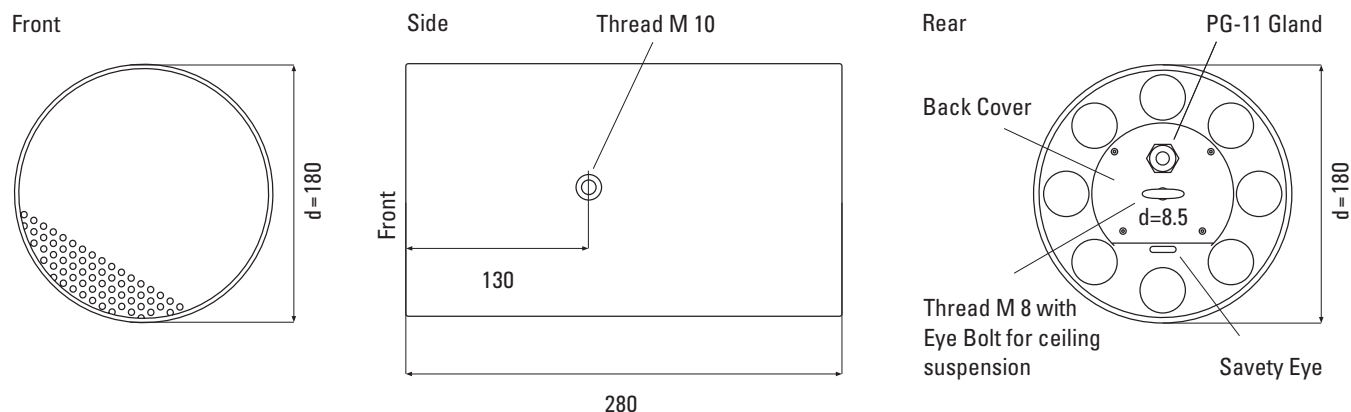


Dispersion characteristics

# RL 180 N Polar

## Directional Speaker with Cardioid Pattern

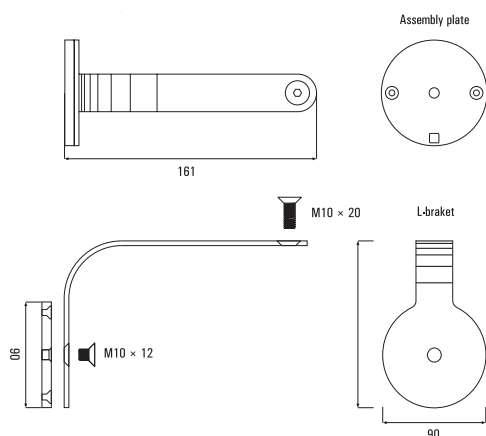
### Dimensions



### Technical Data

Principle	2-way directional loudspeaker with Polar technology and cardioid pattern
Components	6.5" woofer + 1" dome tweeter
Frequency range	120 Hz – 20 kHz
Impedance	8 ohms
Power capacity	60 watts RMS, 120 watts program
Sensitivity	93 dB (1 W @ 1 m)
Maximum SPL	114 dB @ 1 m 100 V version: 107 dB @ 1 m
Nominal dispersion	160°
Dimensions	$d = 180$ mm, $l = 280$ mm
Weight	2.8 kg
Fastening points	Suspension point at rear M 8 with eye bolt and another safety eye, threaded insert M 10 laterally for optional wall mount WH 180
Connectors	Screw-type terminals (pluggable)
Warranty	5 years

### Dimensions Wall Mount



Model	Order-No.	Version
<b>RL 180 N Polar White</b>	0903-0001	RAL 9016
<b>RL 180 N Polar Black</b>	0903-0002	RAL 9005
<b>RL 180 NT Polar White</b>	0903-0003	100 V versions
<b>RL 180 NT Polar Black</b>	0903-0004	Power 7.5/15/30 watts

Other colours and models on request

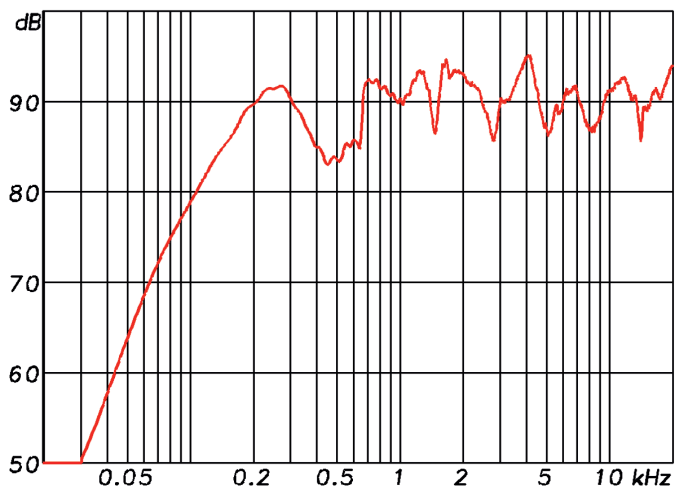
Accessories	Order-No.	Version
<b>WH 180 White</b>	7109-0006	L-braket with assembly plate, rotatable/pivotable, incl. safety rope, RAL 9016
<b>WH 180 Black</b>	7109-0007	L-braket with assembly plate, rotatable/pivotable, incl. safety rope, RAL 9005
<b>SR 300-16</b>	7109-0008	Stainless steel rope for pendant mounting, length 3 m, thickness 1.6 mm, one side with loop

# RL 180 N Polar

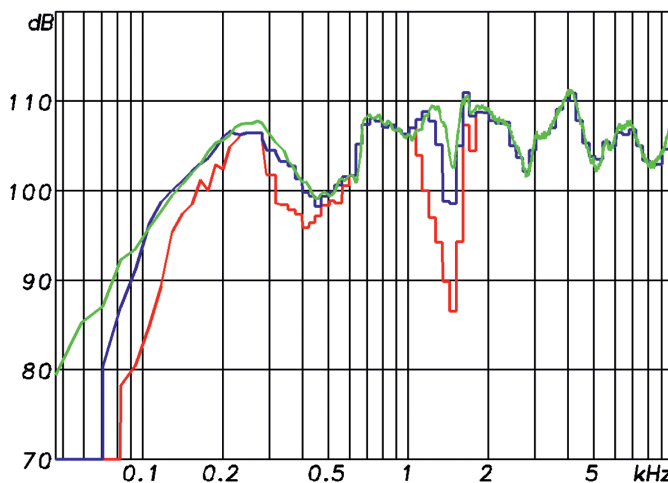
## Directional Speaker with Cardioid Pattern

### Diagrams

RL 180 N Polar Sens. 2.83V/1m: 89 db (100-10k) 125 Hz - 20 kHz (-6 dB) full space



RL 180 N Polar max. SPL @ 3% and 10% distortion threshold 40 W max.



RL 180 N Polar full space directivity plot

