



DE 200 CD / DE 200 CDQ In-Wall / In-Ceiling Speaker

Description

This high-end built-in speaker with a defined dispersion angle of 80° has been developed as a front speaker (L, R, center) for home audio systems and media spaces. The 6.5" low-mid driver is equipped with a coaxial 1" tweeter plus waveguide in front, which ensures controlled sound dispersion and natural sound reproduction, even at high levels. Due to its directivity, the DE 200 CD can reproduce speech very clearly even in rooms with long reverberation times.

The DE 200 CD is comprised of three parts. First, the elegant installation frame is mounted in the ceiling or wall. The speaker unit and the magnetic front grille are then installed. This enables reliable installation and retrofitting, even for complicated installation scenarios.

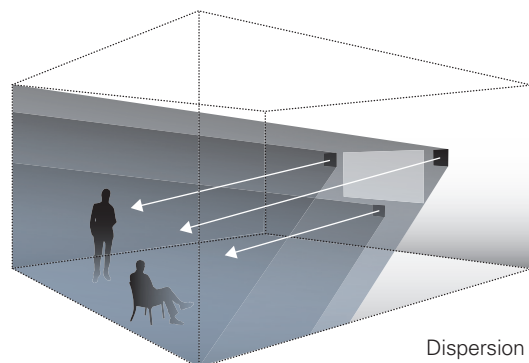
In spaces with different interior designs, the DE 200 CD can be combined with the DE-X 200 CD and FZ 180 CD models to create homogeneous sound systems.

Special Features

- 2-way system with CD characteristic
- 80° dispersion
- High speech intelligibility
- 6.5" woofer + 1" tweeter waveguide with de:shape®
- 120 watts power capacity
- 8 ohms
- Very linear frequency response
- Round or square
- Standard finish: white or black
- Moisture proof

Fields of Application

- Conference rooms
- Gastronomy, hotels
- Home audio
- Media rooms
- Shops, sales rooms
- Surround systems



Dispersion characteristic
CD Speaker (left, right, centre)

DE 200 CD / DE 200 CDQ In-Wall / In-Ceiling Speaker

Technical Data

Principle	2-way in-wall speaker with CD characteristic
Components	6.5" woofer + 1" tweeter waveguide
Frequency range	54 Hz – 21 kHz
Impedance	8 ohms
Power capacity	60 watts RMS, 120 watts program
Sensitivity	88 dB SPL (1W@1 m), half-space (flush-mounted)
Maximum SPL	109 dB @ 1 m
Nominal dispersion	80°
Dimensions	DE 200 CD: Ø 192 mm DE 200 CDQ: 192 × 192 mm
Cutout size	DE 200 CD: Ø 176 mm DE 200 CDQ: 176 × 176 mm
Wall thickness	8...30 mm
Installation depth	100 mm
Weight	2.1 kg
Material	Precision steel assembly frame and grille, powder-coated
Connectors	Screw type terminals, pluggable
Warranty	5 years

Model	Order No.	Version
DE 200 CD White	0104-0061	Round, RAL 9016
DE 200 CD Black	0104-0045	Round, RAL 9005
DE 200 CDQ White	0104-0062	Square, RAL 9016
DE 200 CDQ Black	0104-0046	Square, RAL 9005

Other colours and versions on request.

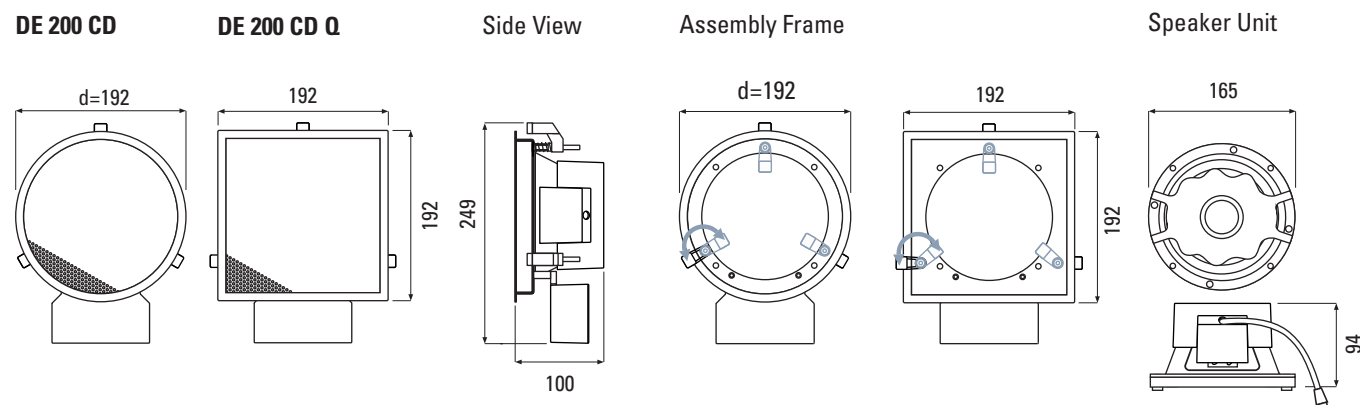


DE 200 CD Polar without grille








DE 200 CDQ Polar without grille

Dimensions



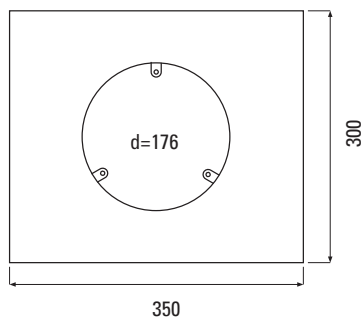
DE 200 Polar / DE 200 Q Polar In-Wall / In-Ceiling Speaker

Back Boxes	Order No.	Version
	EG 200 2203-0001	Back box for DE 200, all types, plastic, Dim.: 350 × 300 × 120 mm
	EG 200 Q 2204-0001	Back box for DE 200 Q, all types, plastic, Dim.: 350 × 300 × 120 mm
	EGB 200 2209-0001	Back box for concrete for DE 200, all types, plastic, Dim.: 350 × 300 × 148 mm, (incl. PVC rigid foam)
	EGB 200 Q 2210-0001	Back box for concrete for DE 200 Q, all types, plastic, Dim.: 350 × 300 × 148 mm, (incl. PVC rigid foam)
	DE-X Tool 0360-0001	Magnetic holder for effortless insertion and removal of front grille

Dimensions

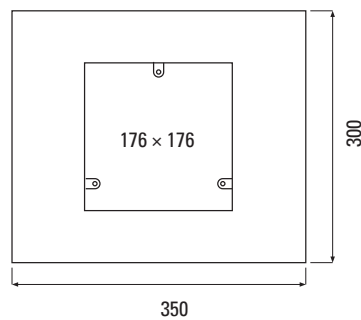
EG 200

Front

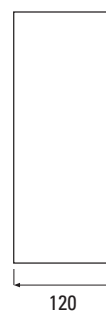


EG 200 Q

Front

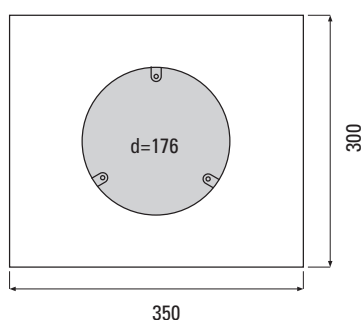


Side



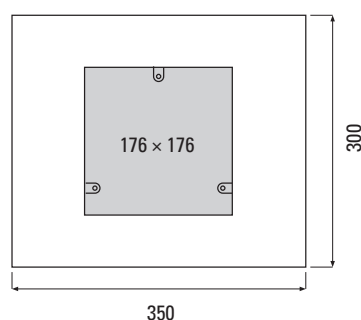
EGB 200

Front

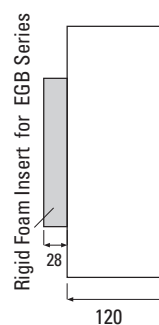


EGB 200 Q

Front



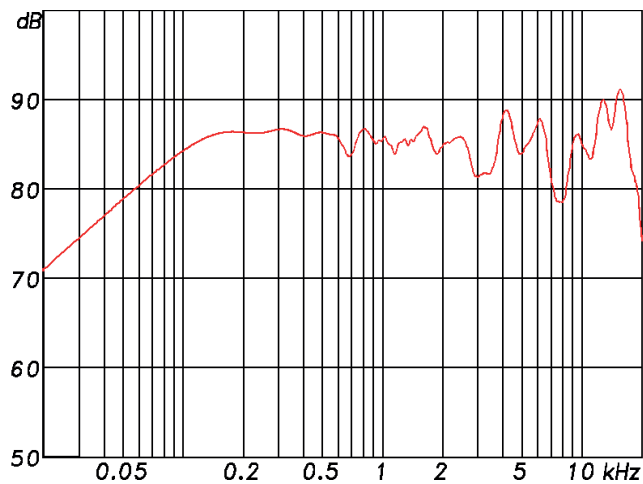
Side



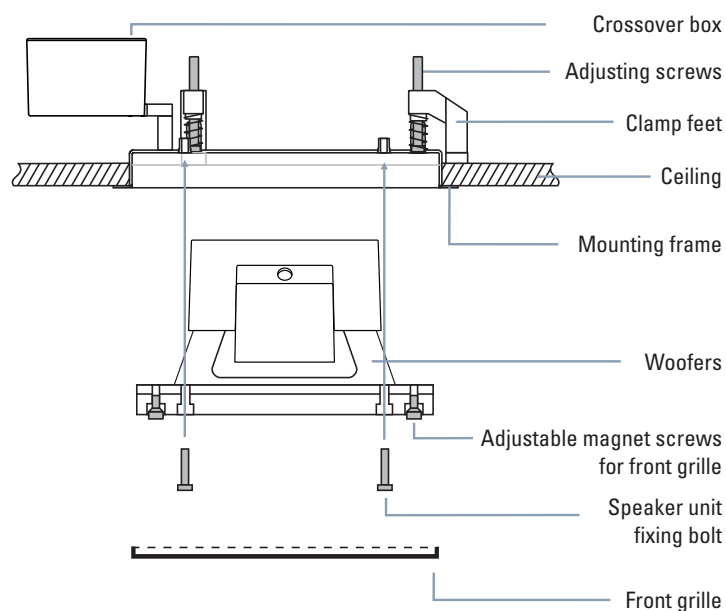
DE 200 CD / DE 200 CDQ In-Wall / In-Ceiling Speaker

Measuring Diagram

DE 200 CD Sens. 2,83V/1m: 88 dB (100-10k) 54 Hz - 20 kHz (-6 dB) half space



Assembly (Ceiling)



Installation Steps:

1. Slice cut out size in drywall surface (in solid walls / ceilings insert built-in cabinet of the EG series).
2. Insert assembly frame with clamp feet and swivel clamp feet outwards.
3. Adjust assembly frame with adjusting screws.
4. Connect chassis to crossover box and adjust.
6. Insert front grille and, where necessary, readjust the height-adjustable holding magnets.