

## DE 200 HSP Polar / DE 200 HSPQ Polar In-Wall / In-Ceiling Speaker



### Description

The DE 200 HSP in-ceiling speaker features very high sound pressure and a dispersion angle of 180°. Thanks to its very high efficiency (93 dB @ 1m), the DE 200 HSP Polar delivers a maximum sound pressure level of 115 dB. It is typically used in systems for voice amplification in large rooms and – when used with subwoofers – for music systems in bars and nightclubs. Thanks to optimum omnidirectional dispersion characteristics, sound is distributed evenly throughout the space, even with just a few speakers. We recommend the SUB 40 and SUB 80, B 12 B and B 212 B subwoofers as supplementary products in the low frequency range.

The DE 200 HSP is comprised of three parts. First, the elegant installation frame is mounted in the ceiling or wall. The speaker unit and the magnetic front grille are then installed. This enables reliable installation and retrofitting, even for complicated installation scenarios.

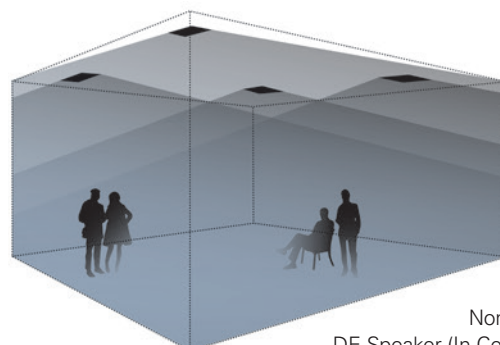
In spaces with different interior designs, the DE 200 HSP Polar can be combined with the RL 180 N Polar model to create homogeneous sound systems.

### Special Features

- 2-way system with Polar® technology
- Very high efficiency
- 180° dispersion
- Perfect sound distribution with a small number of loudspeakers
- Very linear frequency response
- Small dimensions and installation depth
- 6.5" bass + 1" dome tweeter
- 120 watts power capacity
- 8 ohms and 100 V versions
- Round or square
- Standard finish: white or black
- Moisture proof

### Fields of Application

- Clubs, discotheques
- Conference rooms
- Exhibitions, trade fairs
- Gastronomy, hotels
- Large rooms, halls



Nominal Dispersion  
DE-Speaker (In-Ceiling Installation)

## DE 200 HSP Polar / DE 200 HSPQ Polar In-Wall / In-Ceiling Speaker

### Technical Data

Principle	2-way loudspeaker with Polar® technology
Components	6.5" woofer + 1" dome tweeter
Frequency range	96 Hz – 21 kHz
Impedance	8 ohms
Power capacity	60 watts RMS, 120 watts program
Sensitivity	93 dB SPL (1W@1 m), half-space (flush mounted)
Maximum SPL	114 dB @ 1 m, 100 V version: 109 dB @ 1 m
Nominal dispersion	180°
Dimensions	DE 200 HSP Polar: Ø = 192 mm DE 200 HSPQ Polar: 192 × 192 mm
Cutout size	DE 200 HSP Polar: Ø = 176 mm DE 200 HSPQ Polar: 176 × 176 mm
Wall thickness	8...30 mm
Installation depth	102 mm
Material	Precision steel assembly frame and grille, powder-coated
Weight	2.8 kg
Connectors	Screw type terminals, pluggable
Warranty	5 years

### Model

### Order No. Version

<b>DE 200 HSP Polar White</b>	0104-0057	Round, RAL 9016
<b>DE 200 HSP Polar Black</b>	0104-0041	Round, RAL 9005
<b>DE 200 HSPT Polar White</b>	0104-0058	Round, 100 V version
<b>DE 200 HSPT Polar Black</b>	0104-0042	Power 7.5/15/30 watts
<b>DE 200 HSPQ Polar White</b>	0104-0059	Square, RAL 9016
<b>DE 200 HSPQ Polar Black</b>	0104-0043	Square, RAL 9005
<b>DE 200 HSPQT Polar White</b>	0104-0060	Square, 100V versions
<b>DE 200 HSPQT Polar Black</b>	0104-0044	Power 7.5/15/30 watts

Other colours and versions on request.

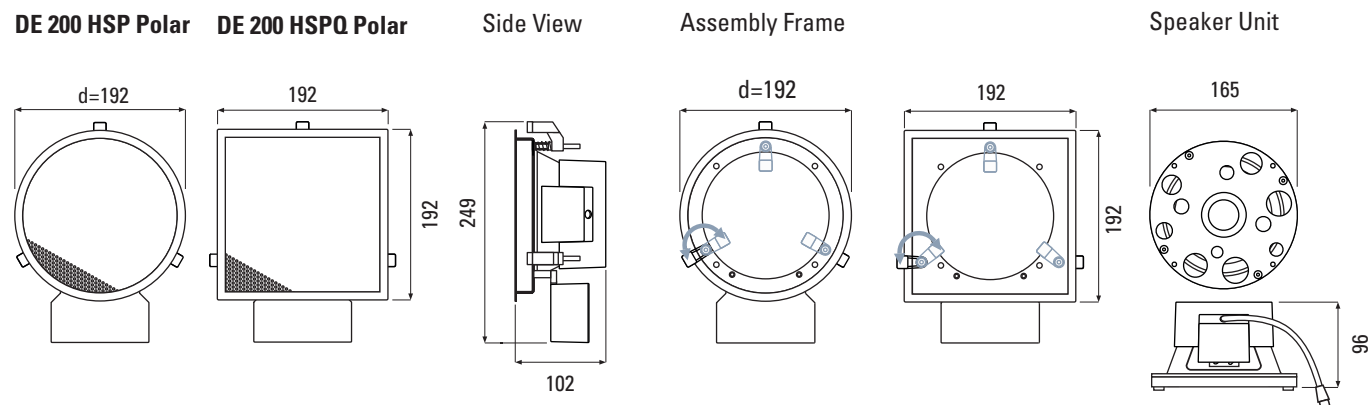


DE 200 HSP Polar without grille








DE 200 HSP Q Polar without grille

### Dimensions



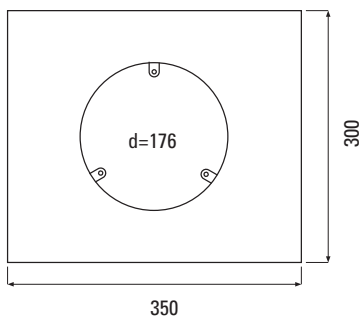
## DE 200 HSP Polar / DE 200 HSPQ Polar In-Wall / In-Ceiling Speaker

Back Boxes	Order No.	Version
	<b>EG 200</b> 2203-0001	Back box for DE 200, all types, plastic, Dim.: 350 × 300 × 120 mm
	<b>EG 200 Q</b> 2204-0001	Back box for DE 200 Q, all types, plastic, Dim.: 350 × 300 × 120 mm
	<b>EGB 200</b> 2209-0001	Back box for concrete for DE 200, all types, plastic, Dim.: 350 × 300 × 148 mm, (incl. PVC rigid foam)
	<b>EGB 200 Q</b> 2210-0001	Back box for concrete for DE 200 Q, all types, plastic, Dim.: 350 × 300 × 148 mm, (incl. PVC rigid foam)
	<b>DE-X Tool</b> 0360-0001	Magnetic holder for effortless insertion and removal of front grille

### Dimensions

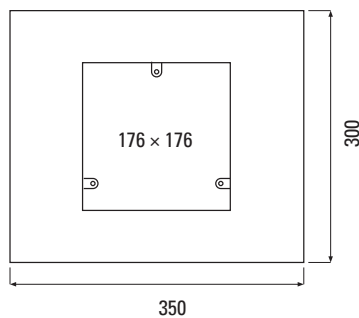
#### EG 200

Front

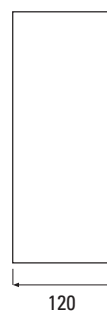


#### EG 200 Q

Front

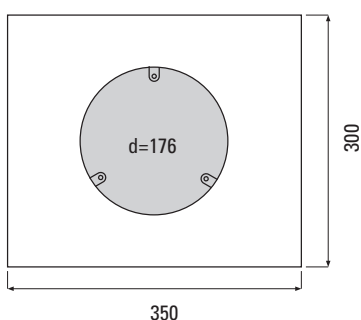


Side



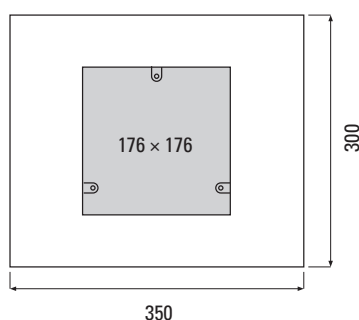
#### EGB 200

Front

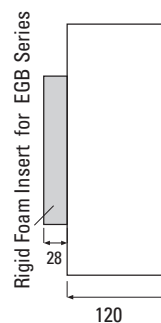


#### EGB 200 Q

Front



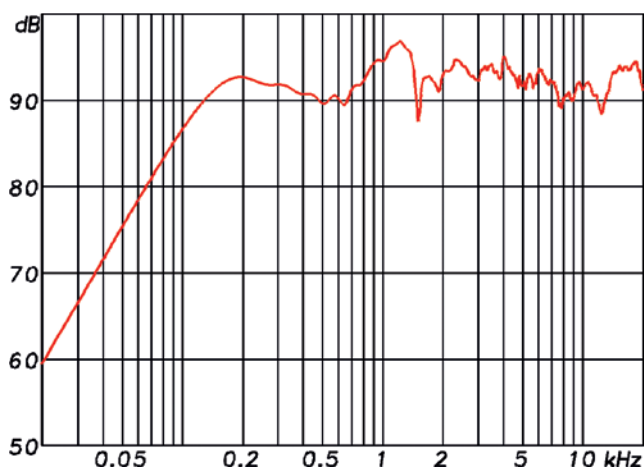
Side



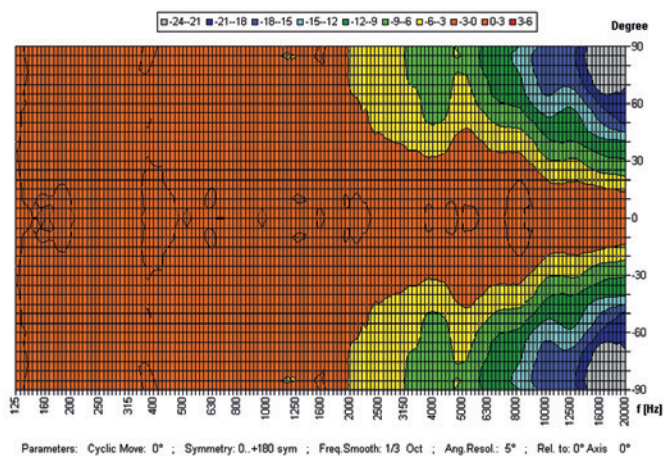
# DE 200 HSP Polar / DE 200 HSPQ Polar In-Wall / In-Ceiling Speaker

## Measuring Diagrams

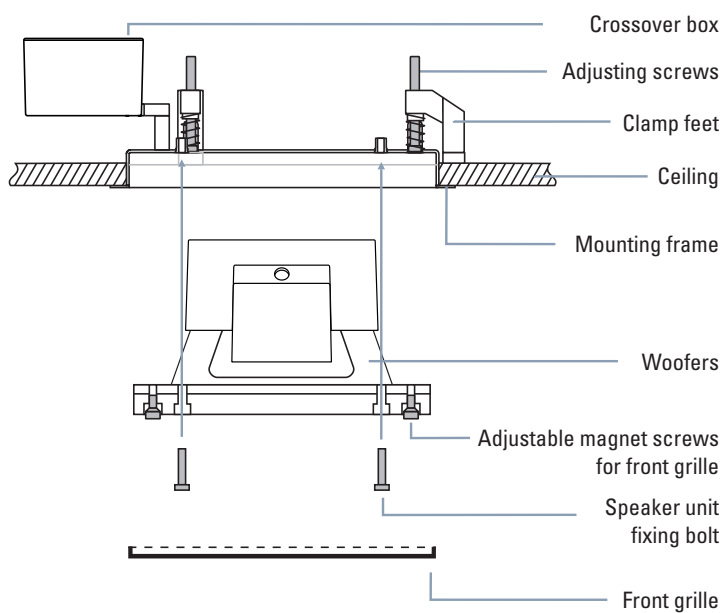
DE 200 HSP Polar Sens. 2,83 V/1m: 93 dB (100-10k) 96 Hz - 20 kHz (-6 dB) half space



DE 200 HSP Polar half space Directivity Plot



## Assembly (Ceiling)



### Installation Steps:

1. Slice cut out size in drywall surface (in solid walls / ceilings insert built-in cabinet of the EG series).
2. Insert assembly frame with clamp feet and swivel clamp feet outwards.
3. Adjust assembly frame with adjusting screws.
4. Connect chassis to crossover box and adjust.
6. Insert front grille and, where necessary, readjust the height-adjustable holding magnets.