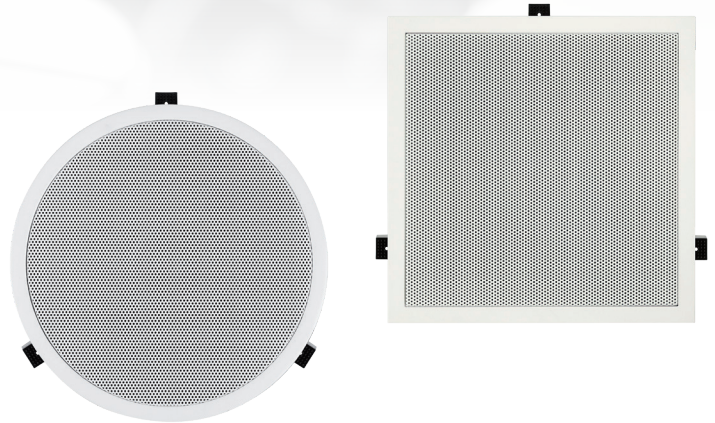


## DE 200 LP / DE 200 LPQ In-Wall / In-Ceiling Speaker with 48 mm Mounting Depth



### Description

---

With a very shallow mounting depth of just 48 mm, the DE 200 LP is specifically designed for suspended drywall ceilings and walls with little space for installing speakers.

With two 3" low-mid woofers and a 25 mm neodymium dome tweeter, the two-way system has a broad frequency spectrum and enables speech and music to be reproduced pleasantly and clearly.

The DE 200 LP is comprised of three parts. First, the elegant installation frame is mounted in the ceiling or wall. The speaker unit and the magnetic front grille are then installed. This enables reliable installation and retrofitting, even for complicated installation scenarios.

### Special Features

---

- 2-way system
- Very low mounting depth: 48 mm
- 2 × 3" woofers + 1" dome tweeter
- 80 watts power capacity
- 8 ohms and 100 V versions
- Round or square
- Standard finish: white or black
- Moisture proof

### Fields of Application

---

- Conference rooms
- Exhibitions, trade fairs
- Gastronomy, hotels
- Home audio
- Media rooms
- Shops, sales rooms
- Surround systems

# DE 200 LP / DE 200 LPQ In-Wall / In-Ceiling Speaker with 48 mm Mounting Depth

## Technical Data

Principle	2-way speaker with internal crossover
Components	2 × 3" woofers + 1" dome tweeter
Frequency range	75 Hz – 21 kHz
Impedance	8 ohms
Power capacity	40 watts RMS, 80 watts program
Sensitivity	85 dB SPL (1 W @ 1 m), half-space (flush-mounted)
Maximum SPL	104 dB @ 1 m, 100 V version: 100 dB @ 1 m
Nominal dispersion	140°
Dimensions	DE 200 LP: Ø 192 mm DE 200 LPQ: 192 × 192 mm
Cutout size	DE 200 LP: Ø 176 mm DE 200 LPQ: 176 × 176 mm
Wall thickness	8...30 mm
Installation depth	48 mm
Material	Precision steel assembly frame and grille, powder-coated
Weight	1.2 kg
Connectors	Screw type terminals, pluggable
Warranty	5 years

Model	Order No.	Version
<b>DE 200 LP White</b>	0104-0065	Round, RAL 9016
<b>DE 200 LP Black</b>	0104-0049	Round, RAL 9005
<b>DE 200 LPT White</b>	0104-0066	Round, 100 V versions,
<b>DE 200 LPT Black</b>	0104-0050	Power 7.5/15/30 watts
<b>DE 200 LPQ White</b>	0104-0067	Square, RAL 9016
<b>DE 200 LPQ Black</b>	0104-0051	Square, RAL 9005
<b>DE 200 LPQT White</b>	0104-0068	Square, 100 V versions,
<b>DE 200 LPQT Black</b>	0104-0052	Power 7.5/15/30 watts

Other colours and versions on request.

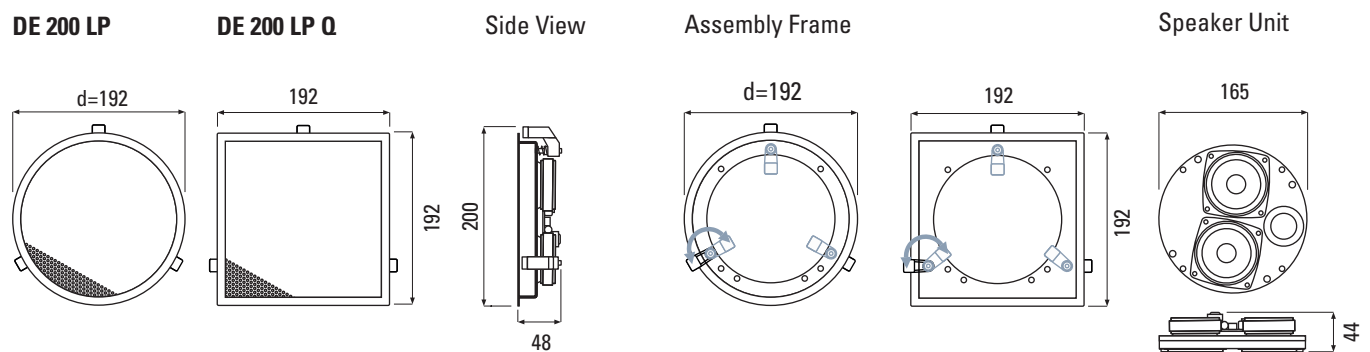


DE 200 LP without grille








DE 200 LPQ without grille

## Dimensions



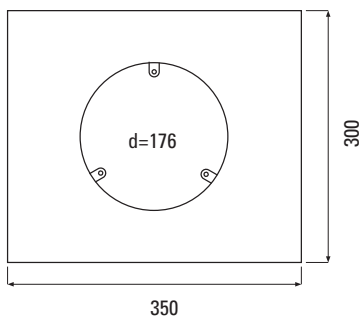
## DE 200 LP / DE 200 LPQ In-Wall / In-Ceiling Speaker with 48 mm Mounting Depth

Back Boxes	Order No.	Version
	<b>EG 200</b> 2203-0001	Back box for DE 200, all types, plastic, Dim.: 350 × 300 × 120 mm
	<b>EG 200 Q</b> 2204-0001	Back box for DE 200 Q, all types, plastic, Dim.: 350 × 300 × 120 mm
	<b>EGB 200</b> 2209-0001	Back box for concrete for DE 200, all types, plastic, Dim.: 350 × 300 × 148 mm, (incl. rigid foam insert)
	<b>EGB 200 Q</b> 2210-0001	Back box for concrete for DE 200 Q, all types, plastic, Dim.: 350 × 300 × 148 mm, (incl. rigid foam insert)
	<b>DE-X Tool</b> 0360-0001	Magnetic holder for effortless insertion and removal of front grille

### Dimensions

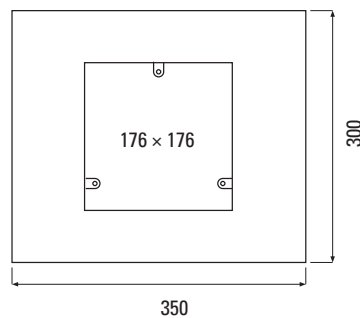
#### EG 200

Front

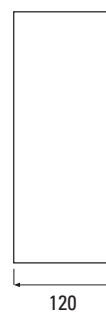


#### EG 200 Q

Front

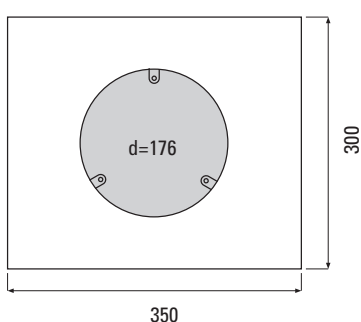


Side



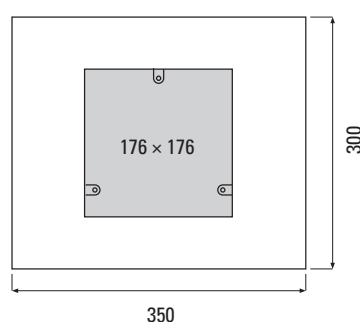
#### EGB 200

Front

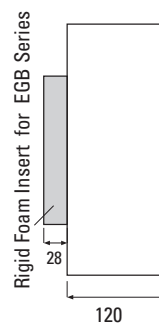


#### EGB 200 Q

Front



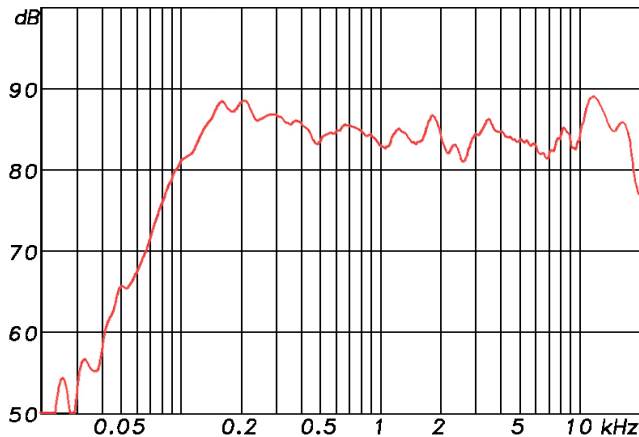
Side



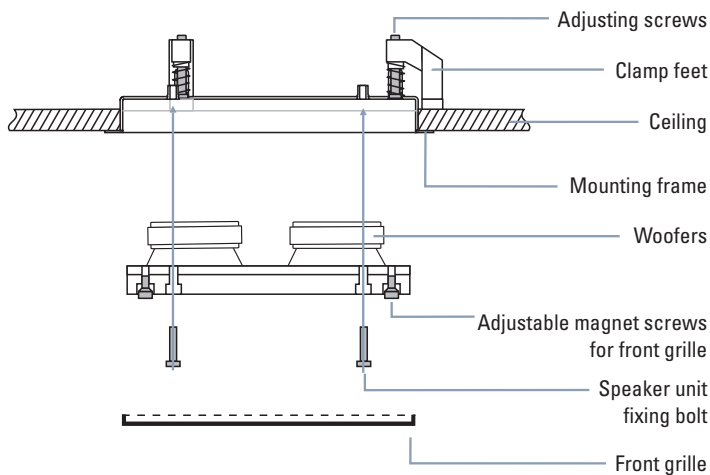
## DE 200 LP / DE 200 LPQ In-Wall / In-Ceiling Speaker with 48 mm Mounting Depth

### Measuring Diagram

DE 200 LP Sens. 2,83V/1m: 85,5 db (100-10k) 53 Hz - 20 kHz (-6 dB) half space



### Assembly (Ceiling)



#### Installation Steps:

1. Slice cut out size in drywall surface (in solid walls / ceilings insert built-in cabinet of the EG series).
2. Insert assembly frame with clamp feet and swivel clamp feet outwards.
3. Adjust assembly frame with adjusting screws.
4. Connect chassis to crossover box and adjust.
6. Insert front grille and, where necessary, readjust the height-adjustable holding magnets.