

## DE-X 200 HSP Polar / DE-X 200 HSPQ Polar Trimless In-Wall/In-Ceiling Speaker



### Description

The DE-X 200 HSP Polar trimless in-ceiling speaker features very high sound pressure and a dispersion angle of 180°. Thanks to its very high efficiency (93 dB @ 1m), the DE-X 200 HSP Polar delivers a maximum sound pressure level of 115 dB. It is typically used in systems for voice amplification in large rooms and – when used with subwoofers – for music systems in bars and nightclubs. Thanks to optimum omnidirectional dispersion characteristics, sound is distributed evenly throughout the space, even with just a few speakers. We recommend the SUB 40 and SUB 80, B 12 B and B 212 B subwoofers as supplementary products in the low frequency range.

The DE-X 200 HSP is comprised of three parts. First, the elegant installation frame is mounted in the ceiling or wall. The speaker unit and the magnetic front grille are then installed. This enables reliable installation and retrofitting, even for complicated installation scenarios.

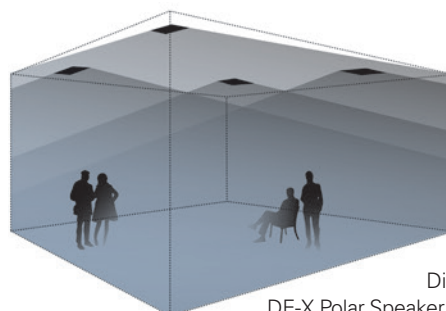
In spaces with different interior designs, the DE-X 200 HSP Polar can be combined with the RL 180 N Polar model to create homogeneous sound systems.

### Special Features

- Unobtrusive appearance (only the flush-mounted front grille is visible)
- Very high efficiency
- Small dimensions and installation depth
- 2-way system with Polar® technology
- 180° dispersion
- Perfect sound distribution with a small number of loudspeakers
- 6.5" woofer + 1" dome tweeter
- 120 watts power capacity
- 8 ohms and 100 V versions
- Round or square
- Moisture proof

### Fields of Application

- Clubs, discotheques
- Conference rooms
- Exhibitions, trade fairs
- Gastronomy, hotels
- Large rooms, halls
- Shops, sales rooms



Dispersion characteristic  
DE-X Polar Speaker ( In-ceiling installation)

## DE-X 200 HSP Polar / DE-X 200 HSPQ Polar Trimless In-Wall/In-Ceiling Speaker

### Technical Data

Principle	2-way loudspeaker with Polar® technology
Components	6.5" woofer + 1" dome tweeter
Frequency range	96 Hz – 21 kHz
Impedance	8 ohms
Power capacity	60 watts RMS, 120 watts program
Sensitivity	93 db SPL (1W@1m), half-space (flush-mounted)
Maximum SPL	114 dB @ 1 m 100 V version: 109 dB @ 1 m
Nominal dispersion	180°
Front grille	Precision steel grille with magnetic fastening, adjustable for flush-mounting
Front grille size	DE-X 200 HSP Polar: Ø 170 mm DE-X 200 HSPQ Polar: 170 × 170 mm
Cutout size	DE-X 200 HSP Polar: Ø 176 mm DE-X 200 HSPQ Polar: 176 × 176 mm
Wall/ceiling thickness	8 ... 30 mm
Installation depth	102 mm
Material	Precision steel assembly frame and grille, powder-coated
Weight	2.3 kg
Connectors	Screw type terminals, pluggable
Warranty	5 years

### Model

### Order No. Version

<b>DE-X 200 HSP Polar White</b>	0340-0007	Round, RAL 9016
<b>DE-X 200 HSPT Polar White</b>	0340-0008	Round, 100 V version, Power 7.5/15/30 watts
<b>DE-X 200 HSPQ Polar White</b>	0340-0009	Square, RAL 9016
<b>DE-X 200 HSPQT Polar White</b>	0340-0010	Square, 100 V version, Power 7.5/15/30 watts

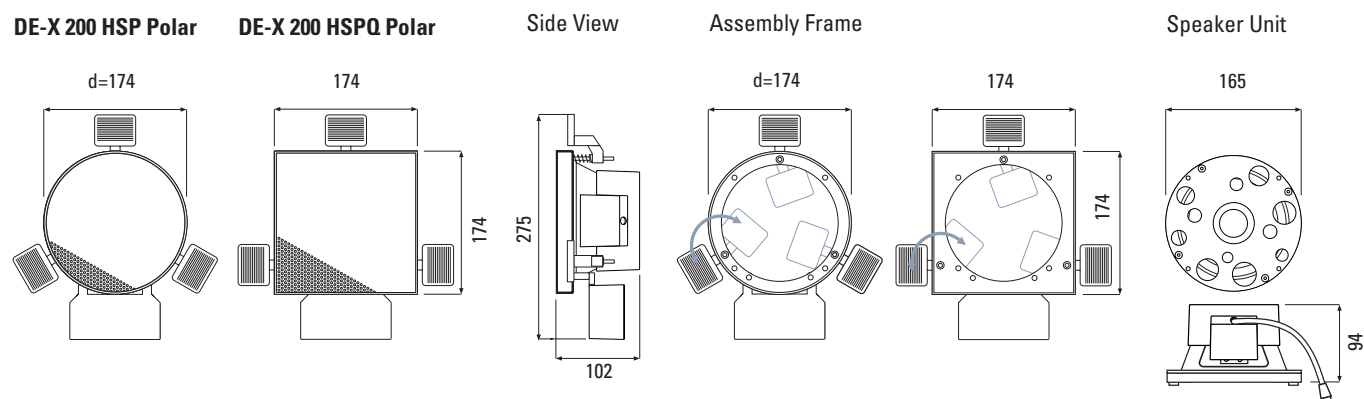
Other colours and models on request.








DE-X 200 HSP Polar without grille

DE-X 200 HSPQ Polar without grille

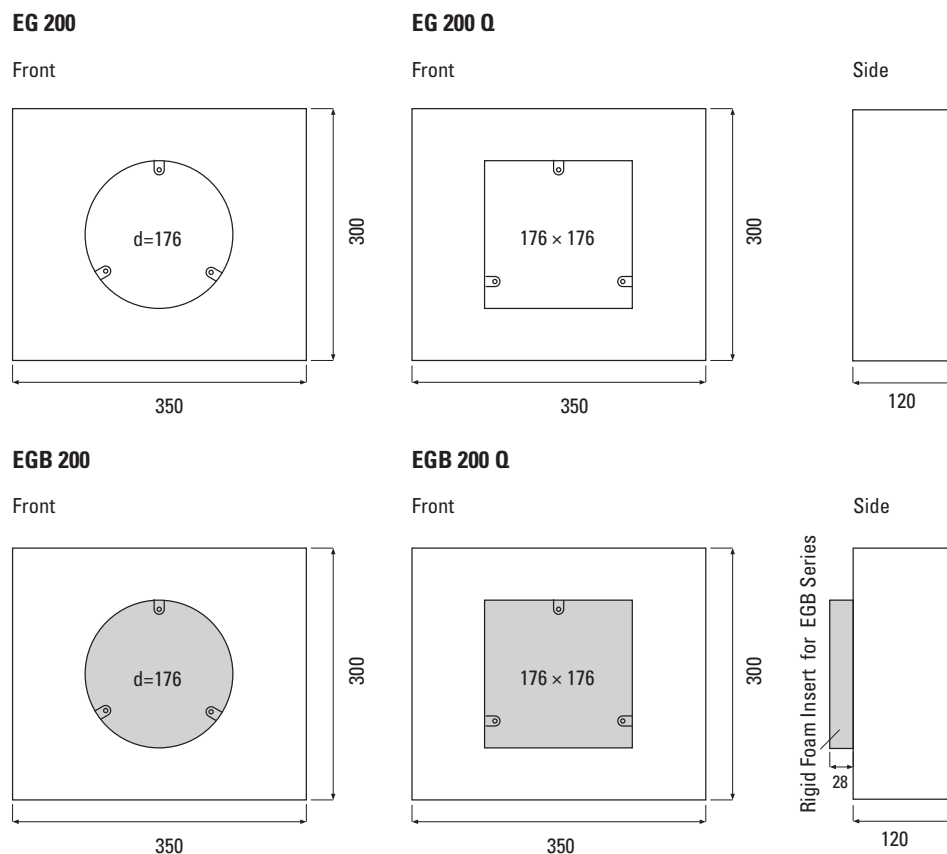
### Dimensions



## DE-X 200 HSP Polar / DE-X 200 HSPQ Polar Trimless In-Wall/In-Ceiling Speaker

Back Boxes	Order No.	Version
	<b>EG 200</b> 2203-0001	Back box for DE-X 200, all types, plastic, Dim.: 350 × 300 × 120 mm
	<b>EG 200 Q</b> 2204-0001	Back box for DE-X 200 Q, all types, plastic, Dim.: 350 × 300 × 120 mm
	<b>EGB 200</b> 2209-0001	Back box for concrete for DE-X 200, all types, plastic, Dim.: 350 × 300 × 148 mm, (incl. PVC rigid foam)
	<b>EGB 200 Q</b> 2210-0001	Back box for concrete for DE-X 200 Q, all types, plastic, Dim.: 350 × 300 × 148 mm, (incl. PVC rigid foam)
	<b>DE-X Tool</b> 0360-0001	Magnetic holder for effortless insertion and removal of front grille

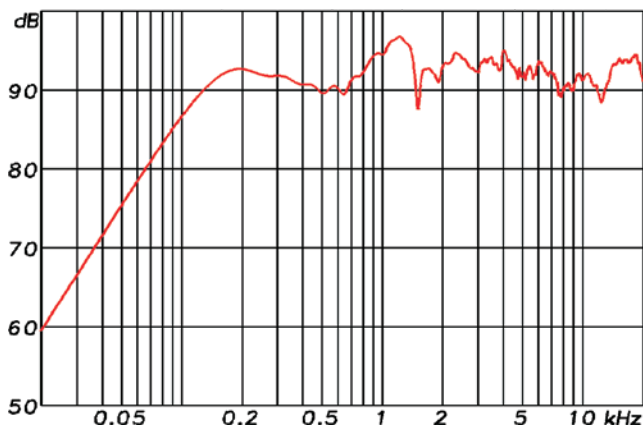
### Dimensions



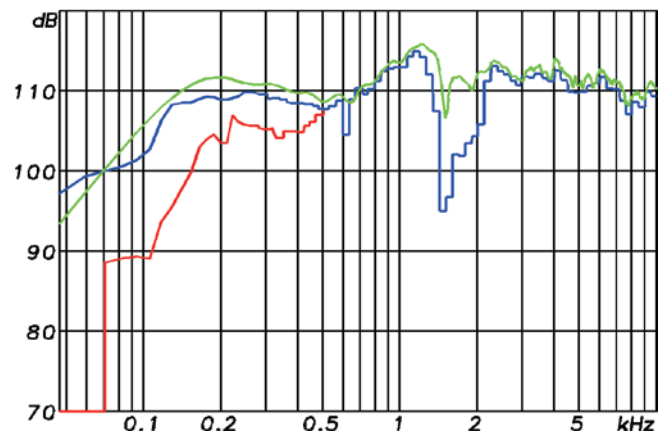
# DE-X 200 HSP Polar / DE-X 200 HSPQ Polar Trimless In-Wall/In-Ceiling Speaker

## Diagrams

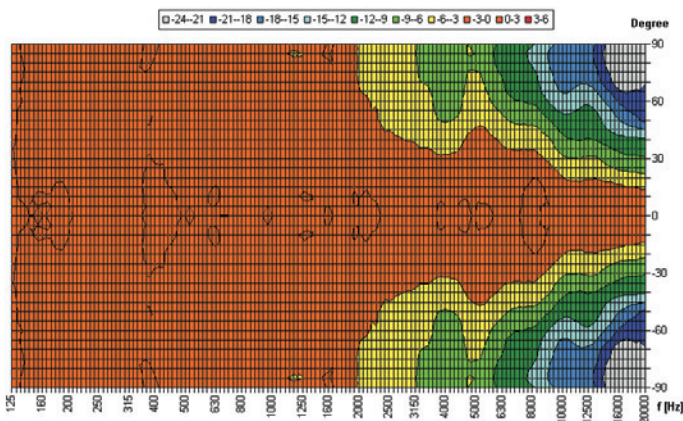
DE-X 200 HSP Polar Sens. 2.83 V/1m: 92.1 dB (100-10k) 96 Hz - 20 kHz (-6 dB) half space



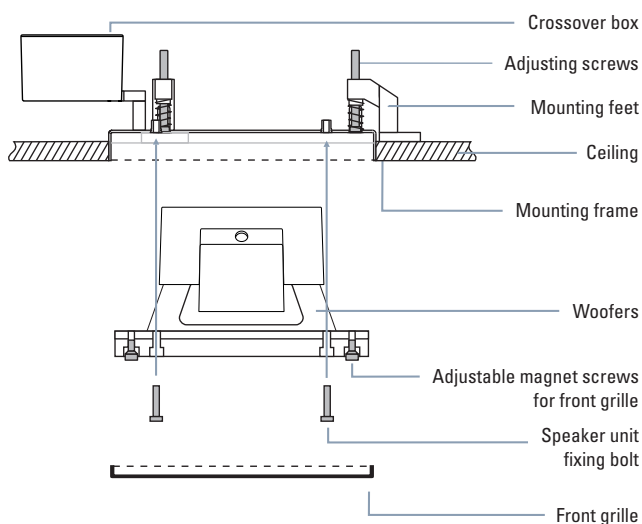
DE-X 200 HSP Polar max. SPL @ 3% and 10% distortion threshold 80 W max. power



DE-X 200 HSP Polar half space directivity plot



## Assembly (ceiling)



### Installation steps:

1. Slice cut out size in drywall surface (in solid walls / ceilings insert built-in cabinet of the EG series).
2. Insert assembly frame with mounting feet and swivel mounting feet outwards.
3. To fasten, screw the quick-build screws through the wall into the mounting feet.
4. Adjust assembly frame with adjusting screws until flush, plaster and paint.
5. Connect and insert chassis.
6. Insert front grille and, where necessary, readjust the height-adjustable holding magnets.