

## ZL 50 Line Array Speaker



### Description

The ZL 50 is a short, highly focused speaker line array for targeted acoustic irradiation with a long throw.

The ZL 50 is also often used in exhibitions and presentations – in conjunction with monitors and projection screens – to create a very narrow path of sound. To do this, multiple ZL 50 and ZL 100 devices can be connected to create a sound path with the desired width.

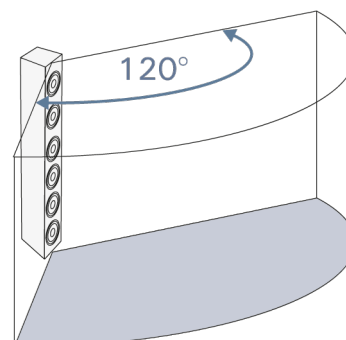
Six highly efficient, extremely linear 2.5" full-range drivers with precise electronic frequency response linearization can be used to achieve excellent reproduction characteristics for clear speech and maximum directivity. Thanks to its modular design, the ZL 50 can be combined with other models from the ZL series to create longer arrays. We recommend using the SUB 20 or SUB 40 subwoofers to supplement the low frequency range.

### Key Features

- Sharply focused line array
- 120° x 20° dispersion
- 6 x 2.5" fullrange drivers with Phase plug
- Very linear frequency response
- 180 watts power capacity
- 8 ohms or 100 V versions
- Modular aluminium cabinet
- Standard colors: white and black
- Suitable for damp rooms

### Fields of Application

- Churches
- Concert halls, theatres
- Exhibitions, trade fairs
- Large rooms, halls
- Mobile systems
- Museums



Directional characteristics

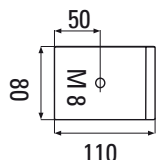
# ZL 50

## Line Array Speaker

### Dimensions

#### ZL 50

Top/Bottom with threads M8



ZL Assembly

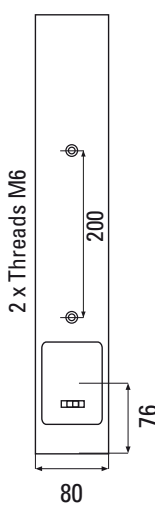
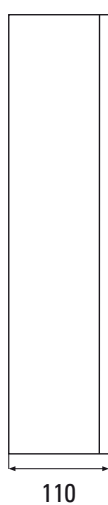
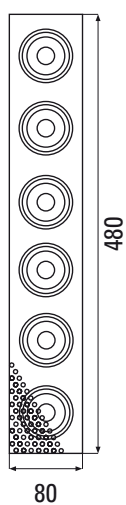


Front

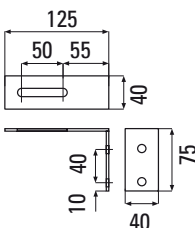
Sides

Back

Connection Terminal

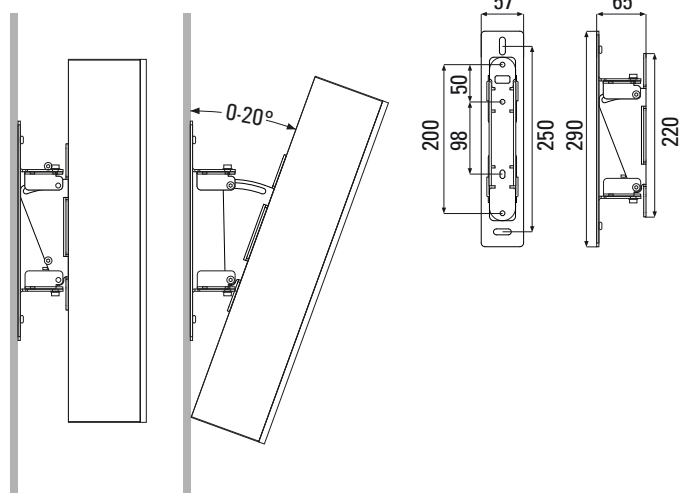


W-ZL Mounting Brackets top/bottom

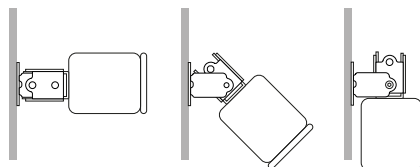


### Mounting with SH 200 Wall Mount

Tilting Range 0 ... -20°



Swivel Range +/- 90°



### Technical Data

Principle	Line array with 6 full-range drivers
Components	6 x 2.5" long excursion full-range drivers with neodymium magnet system
Frequency range	110...20.000 Hz (+/-3 dB) 80...22.000 Hz (-10 dB)
Impedance	8 ohms
Power capacity	90 watts RMS, 180 watts program
Sensitivity	90 dB (1W/ 1m), max. 111 dB 100 V-Version max. 108 dB
Nominal dispersion (H x V)	120° x 20°
Dimensions (W x H x D)	80 x 480 x 103 mm
Weight	2.8 kg
Cabinet	Aluminium, front metal grille, lid closed or optionally threaded inserts M 8 at top/below, finish: powder coated (Please specify bracket type when placing your order)
Connectors	Screw-type terminals, pluggable
Warranty	5 years

\* For safe operation at the specified power, a high-pass filter with a minimum of 12 dB/oct. at 80 Hz is required.

Model	Order-No.	Version
ZL 50 White	1002-0001	RAL 9016
ZL 50 Black	1002-0002	RAL 9005
ZL 50 T White	1002-0003	100 V version
ZL 50 T Black	1002-0004	Power 7.5/15/30 watts

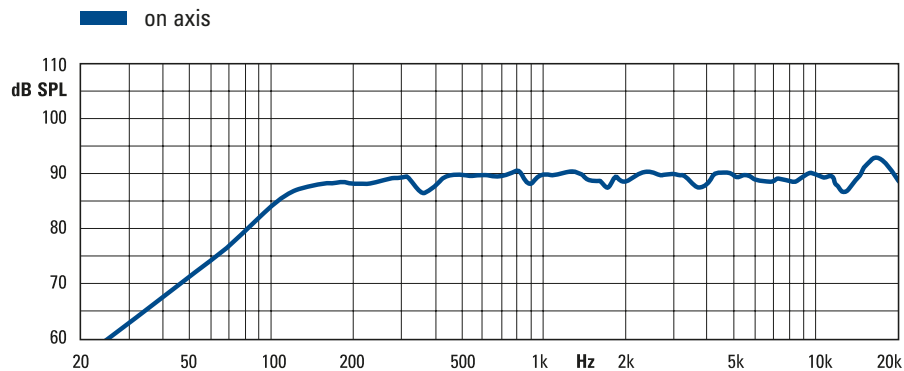
Other length and colours on request

Accessories	Order-No.	Version
W-ZL White	7110-0005	L-bracket (pair)
W-ZL Black	7110-0006	
SH 200 White	7110-0009	Wall mount (horizontal +/- 90°, vertical 0 ... -20°)
SH 200 Black	7110-0010	

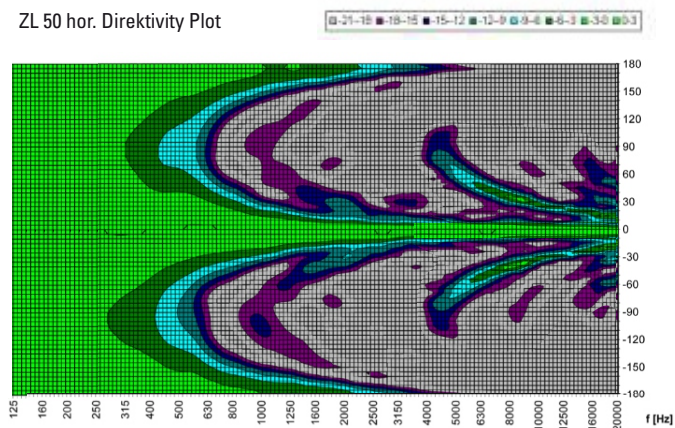
# ZL 50 Line Array Speaker

## Measuring Diagrams

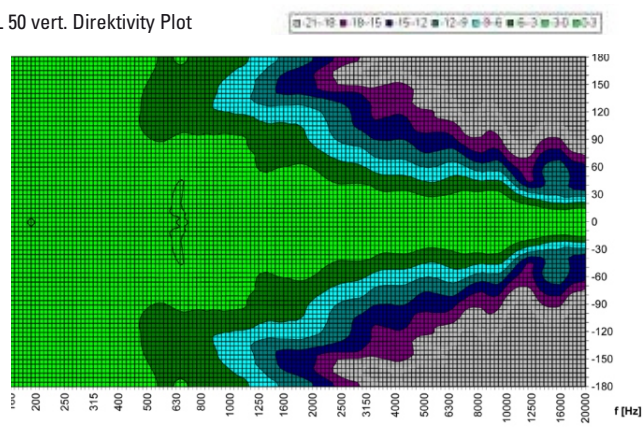
ZL 50 Frequency Response (measured at 2 m. Value converted to 2,83V/1 m, half space)



ZL 50 hor. Direktivität Plot



ZL 50 vert. Direktivität Plot



ZL 50 Impedance

